

# 4'W x 3'H Baluster Guard Rail Standalone Kit Specification

Material: **Carbon Steel**

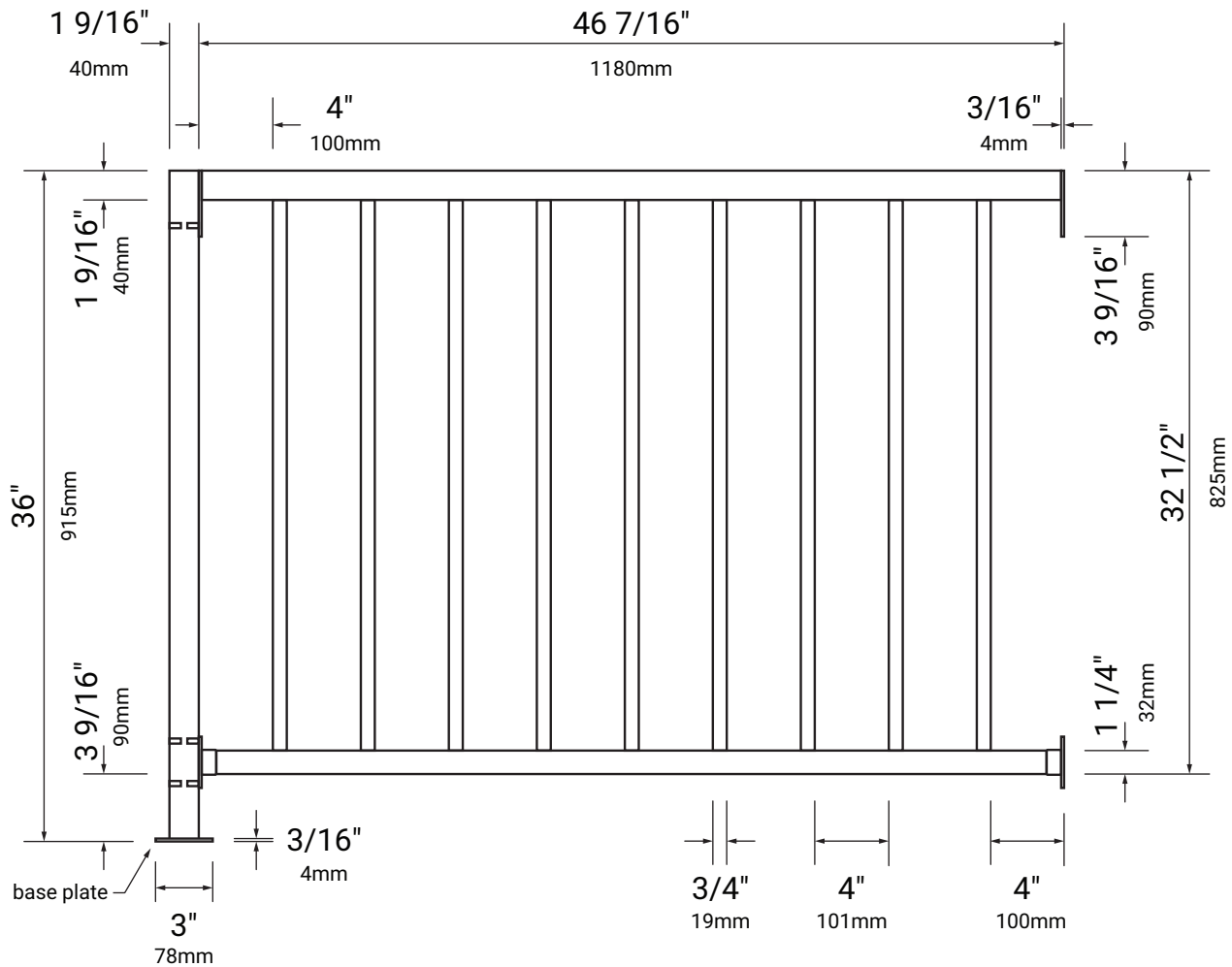
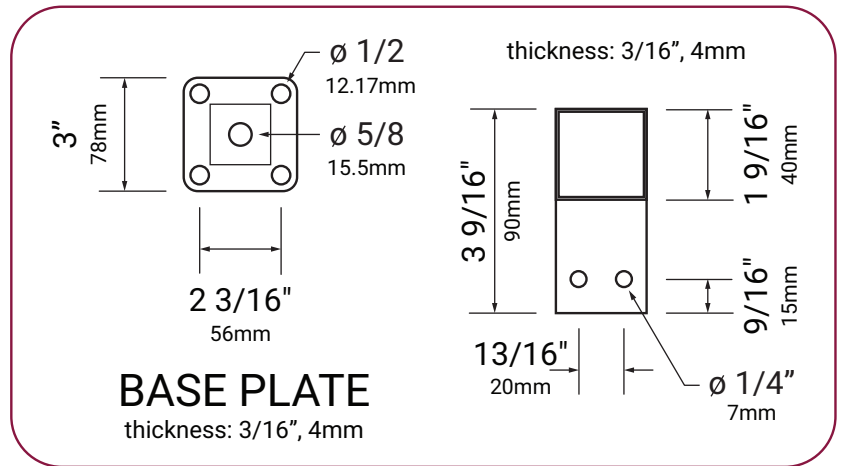
Middle Post & Upper Rail Thickness: **18GA (1.2mm)**

Baluster & Bottom Rail Thickness: **19GA (1.0mm)**

Baluster Height: **32 3/8" (823mm)**

Finish: **5 Stage Powder Coat**

Color: **Matte Black (10% Glossy)**



# 6'W x 3'H Baluster Guard Rail Standalone Kit Specification

Material: **Carbon Steel**

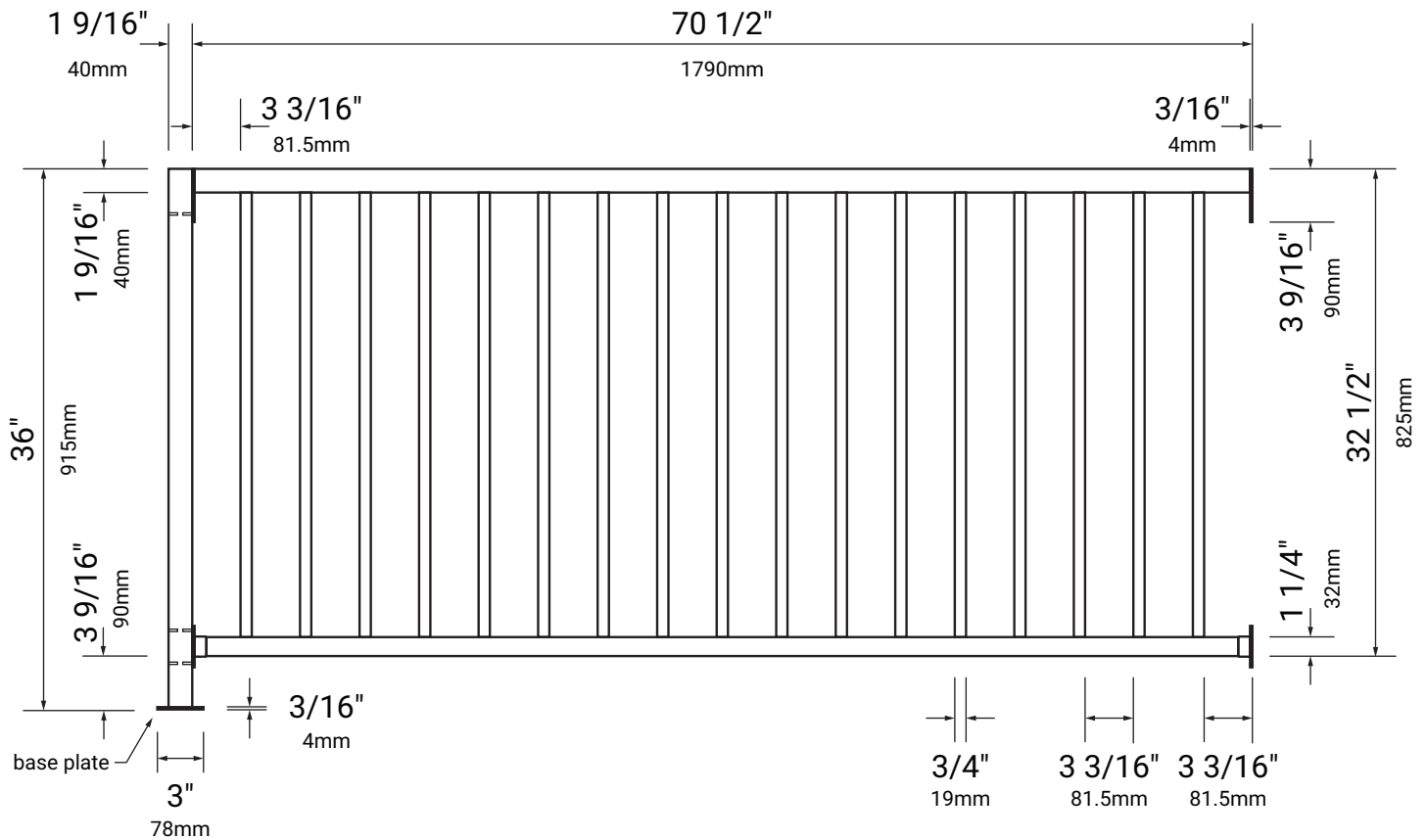
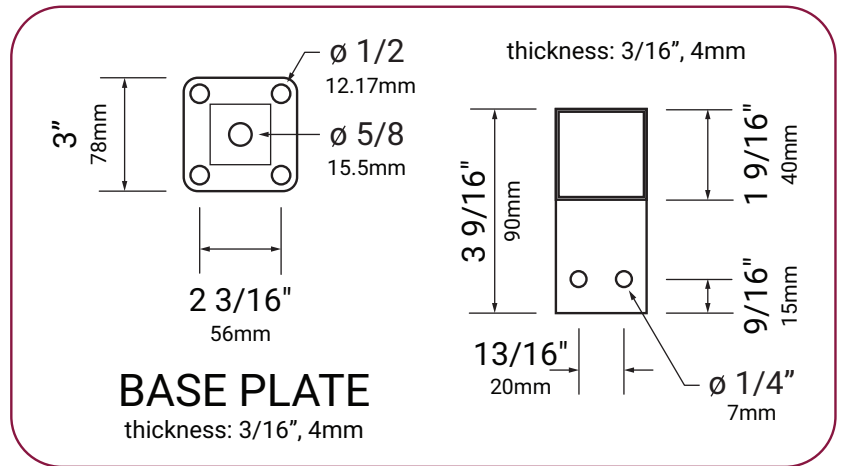
Middle Post & Upper Rail Thickness: **18GA (1.2mm)**

Baluster & Bottom Rail Thickness: **19GA (1.0mm)**

Baluster Height: **32 3/8" (823mm)**

Finish: **5 Stage Powder Coat**

Color: **Matte Black (10% Glossy)**



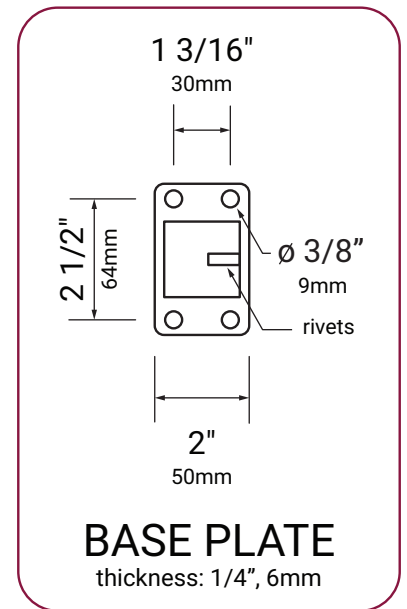
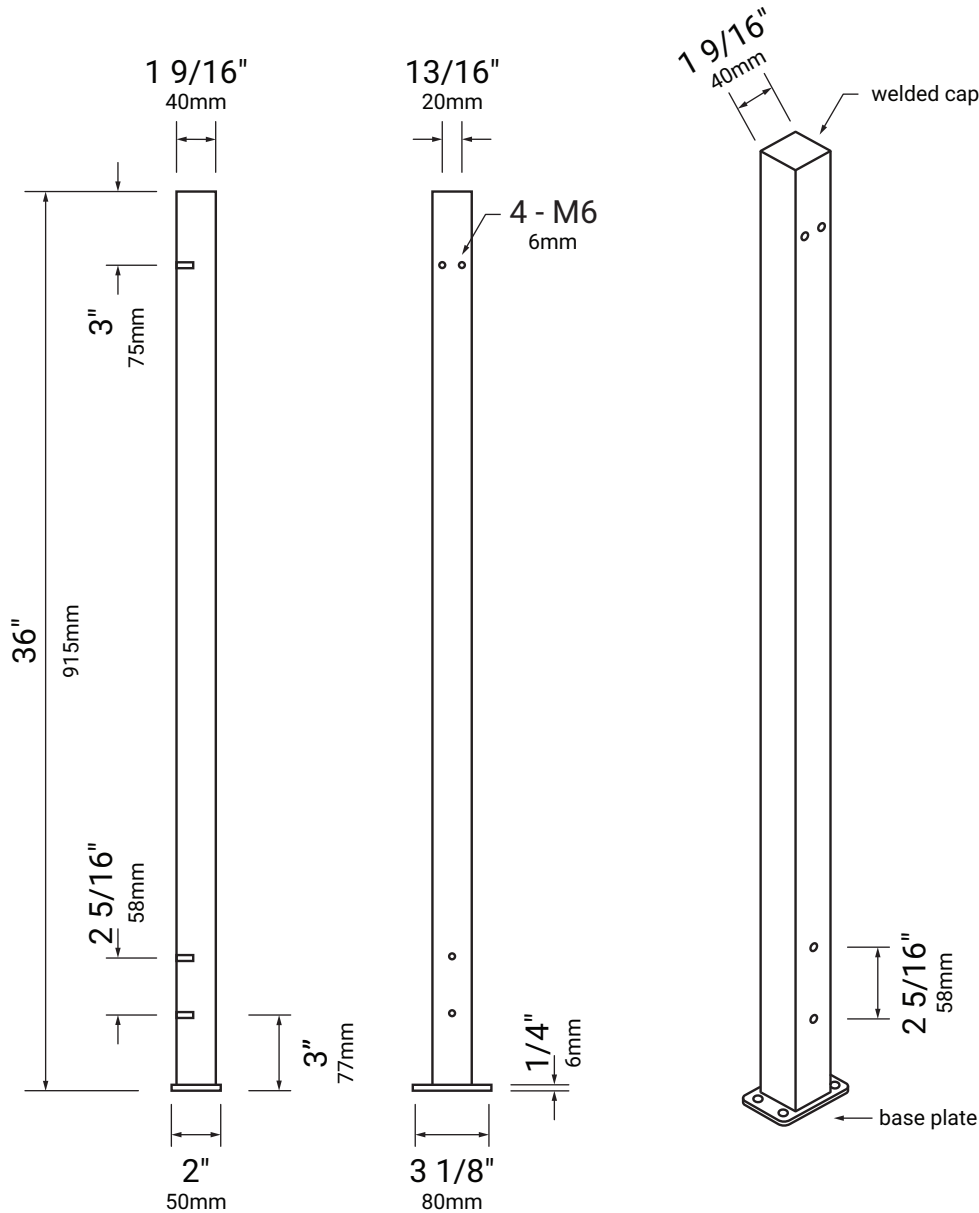
# 3'H Baluster Guard Rail End Post Specification

Material: **Carbon Steel**

End Post Thickness: **18GA (1.2mm)**

Finish: **5 Stage Powder Coat**

Color: **Matte Black (10% Glossy)**



# 3'H Baluster Guard Rail Corner Post Specification

Material: **Carbon Steel**

Corner Post Thickness: **18GA (1.2mm)**

Finish: **5 Stage Powder Coat**

Color: **Matte Black (10% Glossy)**

